

# AC125 Adhesive Dispenser

Potting, Encapsulating and Small Shot Production

Bench-Top dispensing system  
for epoxy, urethane, silicone,  
and other two-component  
materials.

## Features

- Positive Displacement Piston Metering
- Reliable, Consistent Ratio
- Available in 1:1 through 6:1
- Wet Cup Seals in the Dispense Valve
- Simple Operation and Maintenance
- Designed to Process Abrasive or Non-Abrasive Material
- Snuff-Back Dispense Assembly
- Uses Low Cost Static Mixers
- Wide Range of Supply Tanks
- Available with Linear Encoder for Precise Shot Control



# Ashby Cross Company

28 Parker Street Newburyport, MA 01950

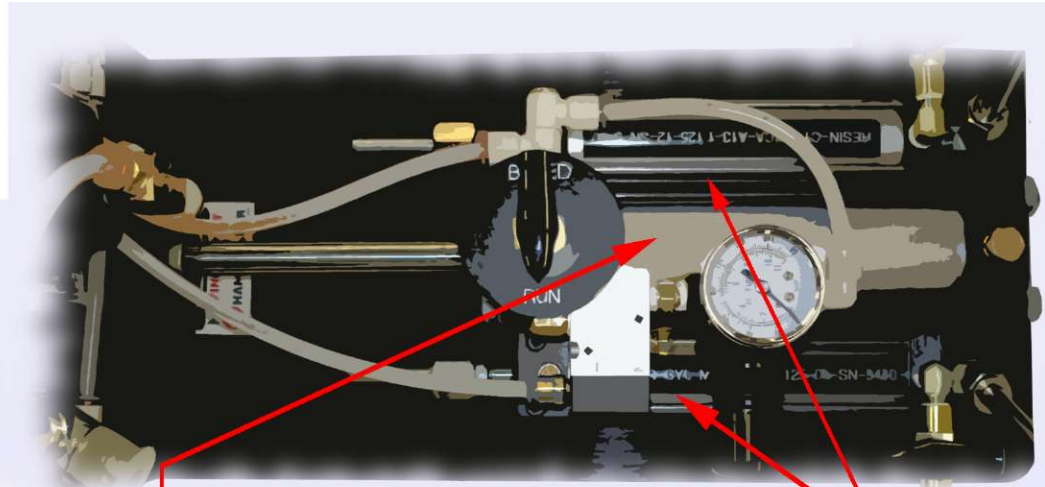
[www.ashbycross.com](http://www.ashbycross.com)

978-463-0202





ASHBY CROSS COMPANY, INC.  
28 Parker Street  
Newburyport, Massachusetts 01950  
(978) 463-0202 FAX (978) 463-0505  
www.ashbycross.com



The mix/dispense valve assembly has an adjustable snuff-back feature and uses low cost static mixers

The volume ratio of the metering cylinders (A:B) equal the volume ratio of the adhesive.

Pressure in the supply tanks fill the cylinders

The pneumatic drive cylinder is energized once the cylinders are full. Depressing the foot pedal opens the mix/dispense valve allowing adhesive to flow.

The AC125 is an ideal solution for applications requiring accurate adhesive dispensing in R&D or light production environments

Wide range of supply tanks are available including heated, agitated, and vacuum degas. Volumes range from 1 quart to 5 gallon.



**Ashby Cross Company**

28 Parker Street, Newburyport, MA 01950  
www.ASHBYCROSS.com 978-463-0202