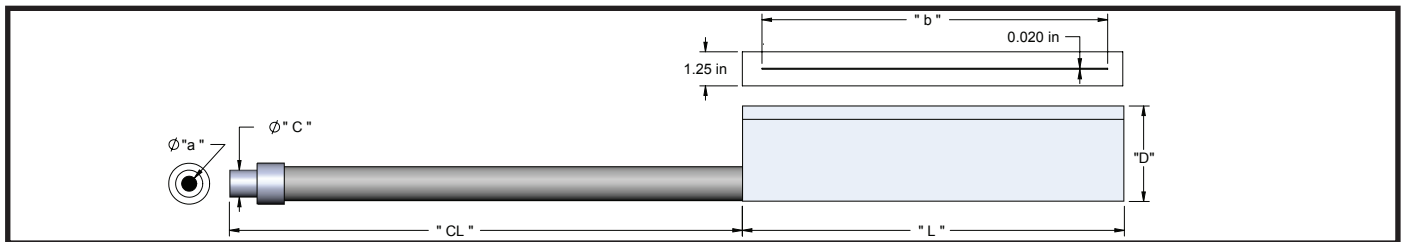


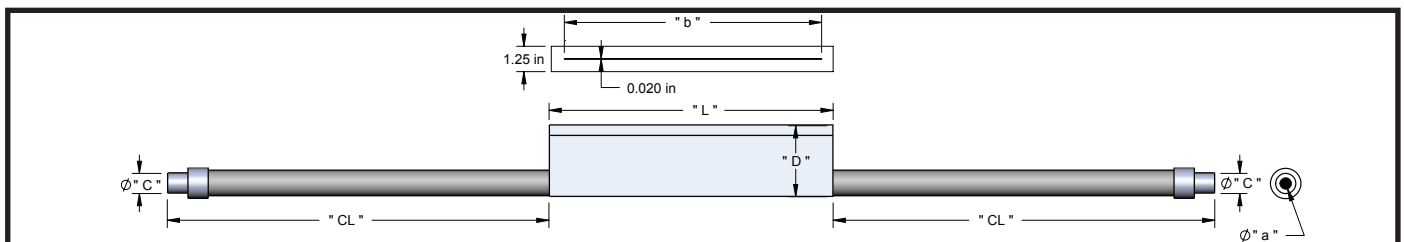
Glass Fiber Optic Line Lights - Borosilicate core/Borosilicate clad

Spectral Curve	Specifications
<p>Glass Fiber Spectral Curve .55 NA</p>	Individual Fiber Diameter
	Acceptance Cone
	Numerical Aperture
	Fiber Material
	Temperature capabilities
	Spectral Transmittance
	Minimum Bend Radius
	Maximum Breakage
	Housing Material



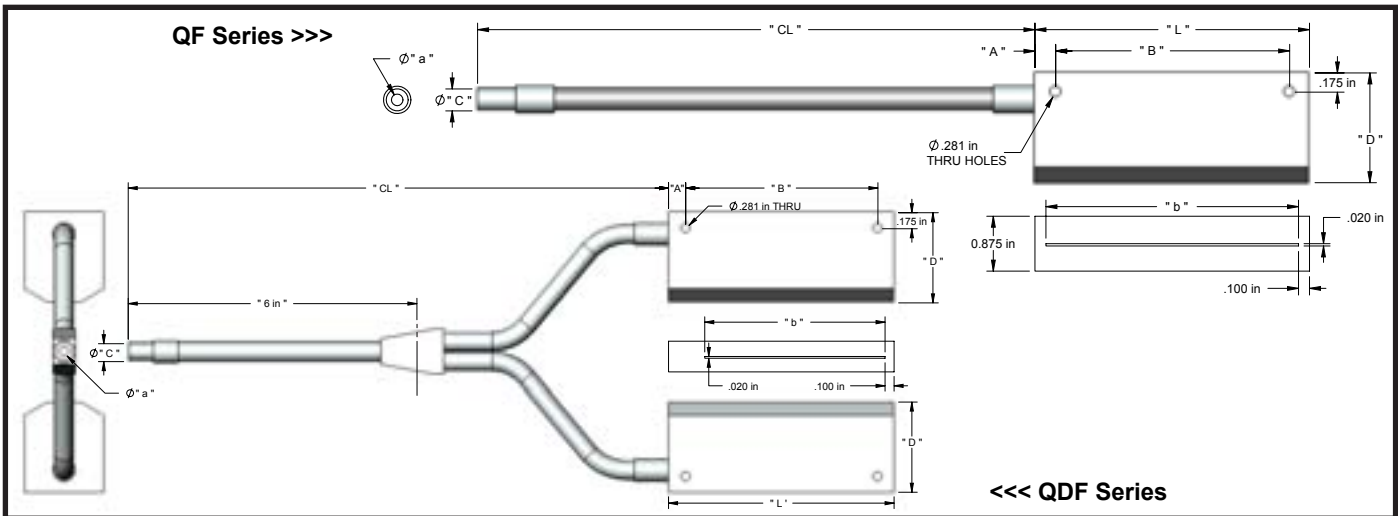
QF- Standard End Ferrule, PVC Sheathing, Rated for -40°F to 221°F

Model	Part #	a	b	c	L	D	CL
QF5536	700004840036	.550" (13.97mm)	12.00" (304.8mm)	.995" (25.3mm)	14.31" (363.5mm)	2.687" (68.25mm)	36" (914.40 mm) 48"
QF5548	700004840048						(1219.2 mm) 72"
QF5572	700004840072						(1828.8 mm)
QF7836	700004060036	.760" (19.30mm)	24.00" (609.6mm)	.995" (25.3mm)	26.31" (668.3mm)	2.687" (68.25mm)	36" (914.40 mm) 48"
QF7848	700004060048						(1219.2 mm) 144"
QF78144	700004060144						(3657 mm)



QF- Standard End Ferrule, PVC Sheathing, Rated for -40°F to 221°F

Model	Part #	a	b	c	L	D	CL
QF9648	700004910048	.679" (17.25mm)	36.00" (914.40mm)	.995" (25.3mm)	38.31" (973.1mm)	2.687" (68.25mm)	48" (1219.2 mm)
QF11048	700001470048	.778" (19.76mm)	48.00 (1219.2mm)	.995" (25.3mm)	50.3" (1277.6mm)	2.687" (68.25mm)	48" (1219.2 mm)
QF11072	700001470072						72" (1828.8 mm)
QF110120	700001470120						120" (3048.0mm)



QF- Standard End Ferrule, Stainless Steel Sheathing, Rated for -40°F to 221°F

Model	Part #	a	b	c	A	B	L	D	CL
QF2036	SK79200036								36" (914.40 mm)
QF2048	SK79200048	.20"	1.50"	.312"	.19"	2.13"	2.50"	1.50"	48" (1219.2 mm)
QF2072	SK79200072	(5.08mm)	(38.1mm)	(7.92mm)	(4.83mm)	(54.1mm)	(63.5mm)	(38.1mm)	72" (1828.8 mm)
QF2084	SK79200084								84" (2133.6 mm)
QF2048M	002114480048	.20"	1.50"	.588"	.19"	2.13"	2.50"	1.50"	48" (1219.2 mm)
		(5.08mm)	(38.1mm)	(14.94mm)	(4.83mm)	(54.1mm)	(63.5mm)	(38.1mm)	
QF2836	SK79210036	.28"	3.00"	.436"	.50"	3.00"	4.00"	2.00"	36" (914.40 mm)
QF2848	SK79210048	(7.11mm)	(76.2mm)	12.8mm	(12.7mm)	(76.2mm)	(101.6mm)	(50.8mm)	48" (1219.2 mm)
QF2872	SK79210072								72" (1828.8 mm)
QF2848M	002114410048	.28"	3.00"	.588"	.50"	3.00"	4.00"	2.00"	48" (1219.2 mm)
		(7.11mm)	(76.2mm)	(14.94mm)	(12.7mm)	(76.2mm)	(101.6mm)	(50.8mm)	
QF3936	SK79220036	.39"	6.00"	.562"	.50"	6.50"	7.50"	2.50"	36" (914.40 mm)
	SK79220048	(9.91mm)	(152mm)	(14.3mm)	(12.7mm)	(165.1mm)	(190.5mm)	(63.5mm)	48" (1219.2 mm)
	SK79220072								72" (1828.8 mm)
QF3948M	002114460048	.39"	6.00"	.588"	.50"	6.50"	7.50"	2.50"	48" (1219.2 mm)
		(9.91mm)	(152mm)	(14.94mm)	(12.7mm)	(165.1mm)	(190.5mm)	(63.5mm)	
QF5048	SK91190048	.50"	10.00"	.625"	.50"	10.50"	11.50"	2.50"	48" (1219.2 mm)
QF5072	SK91190072	(12.7mm)	(254mm)	(15.9mm)	(12.7mm)	(266.7mm)	(292.1mm)	(63.5mm)	72" (1828.8 mm)
QF5096	SK91190096								96" (2438.4 mm)

QDF- Standard End Ferrule, Stainless Steel Sheathing, Rated for -40°F to 221°F

Model	Part #	a	b	c	A	B	L	D	CL
QDF2048	SK79230048	.28"	1.50"	.436"	.19"	2.13"	2.50"	1.50"	48" (1219.2 mm)
QDF2072	SK79230072	(7.11mm)	(38.1mm)	12.8mm	(4.83mm)	(54.1mm)	(63.5mm)	(38.1mm)	72" (1828.8 mm)
QDF2048M	002114420048	.28"	1.50"	.588"	.19"	2.13"	2.50"	1.50"	48" (1219.2 mm)
		(7.11mm)	(38.1mm)	(14.94mm)	(4.83mm)	(54.1mm)	(63.5mm)	(38.1mm)	
QDF2848	SK79240048	.39"	3.00"	.562"	.50"	3.00"	4.00"	2.00"	48" (1219.2 mm)
QDF2872	SK79240072	(9.91mm)	(76.2mm)	(14.3mm)	(12.7mm)	(76.2mm)	(101.6mm)	(50.8mm)	72" (1828.8 mm)
QDF2896	SK79240096								96" (2438.4 mm)
QDF2848M	002114440048	.39"	3.00"	.588"	.50"	3.00"	4.00"	2.00"	48" (1219.2 mm)
		(9.91mm)	(76.2mm)	(14.94mm)	(12.7mm)	(76.2mm)	(101.6mm)	(50.8mm)	
QDF3948	SK79250048	.55" (14.0 mm)	6.00"	.625"	.50"	6.50"	7.50"	2.50"	48" (1219.2 mm)
QDF3972	SK79250072	(152mm)	(15.9mm)	(12.7mm)	(165.1mm)	(190.5mm)	(63.5mm)		72" (1828.8 mm)
QDF5048	SK91200048	.71"	10.00"	.995"	.50"	10.50"	11.50"	2.50"	48" (1219.2 mm)
QDF5052	SK91200052	(18.0mm)	(254mm)	(25.3mm)	(12.7mm)	(266.7mm)	(292.1mm)	(63.5mm)	52" (1320.8 mm)
QDF5072	SK91200072								72" (1828.8 mm)

1.800.83.FIBER

WWW.DOLAN-JENNER.COM



Standard Features:

- Condensed Line Outputs for Structured Lighting Applications
- Even Distribution of Light Over the Width of the Beam
- Increased Working Distances
- Minimal Stray Light

LHF-Series Rod Lenses

LHF-Series Rod Lenses For QF & QDF Series Line Lights Up to 10"

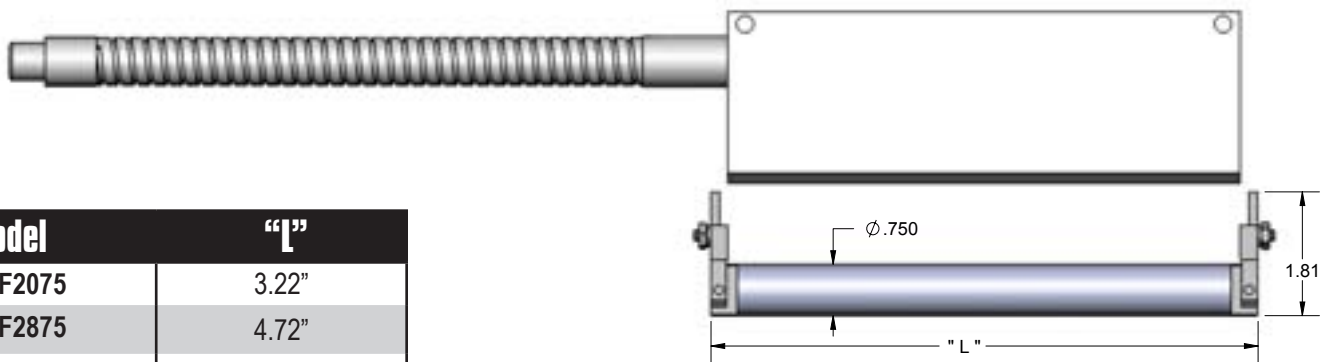
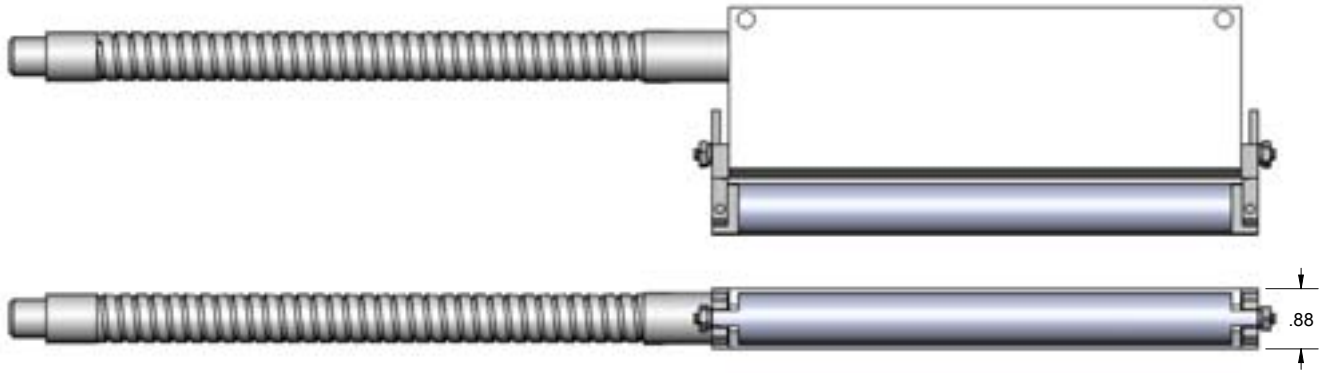
Increased illumination throuput or stand-off distances and uniform lines of light are critical for line scanning inspection and machine vision applications. Dolan-Jenner rod lenses, when used with our fiber optic line lights, provide a light stripe in excess of 7,000 foot candles at 12 inches, 10x brighter than a non-lens setup.

Specifications

Rod Lens Diameter	WD	Material	Min Line Thickness
.75"	1"	Acrylic	0.125"
.75"	3"	Acrylic	0.250"
.75"	6"	Acrylic	0.375"
.75"	12"	Acrylic	0.500"

Model & P/N	Description	Line Light Length
LHF2075 700011701001	Rod Lens for QF20 & QDF20	1.5"
LHF2875 700011701003	Rod Lens for QF28 & QDF28	3"
LHF3975 700011701006	Rod Lens for QF39 & QDF39	6"
LHF5075 700011701010	Rod Lens for QF50 & QDF50	10"

Rod Lens Dimensions:



Model	"L"
LHF2075	3.22"
LHF2875	4.72"
LHF3975	8.22"
LHF5075	12.22"

Dolan-Jenner
industries

Dolan-Jenner Industries
159 Swanson Rd.
Boxborough, MA 01719 USA

Phone: 800.833.4237
Fax: 978.264.0292
Email: support@dolan-jenner.com

1.800.83.FIBER

WWW.DOLAN-JENNER.COM